



# 64-304121-00

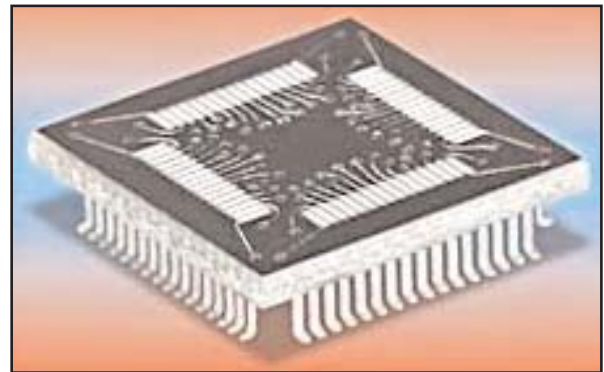
## 64 PIN .5MM TQFP TO .8MM QFP ADAPTER

### FEATURES:

- A cost effective means of upgrading without changing your PCB layout.

### SPECIFICATIONS:

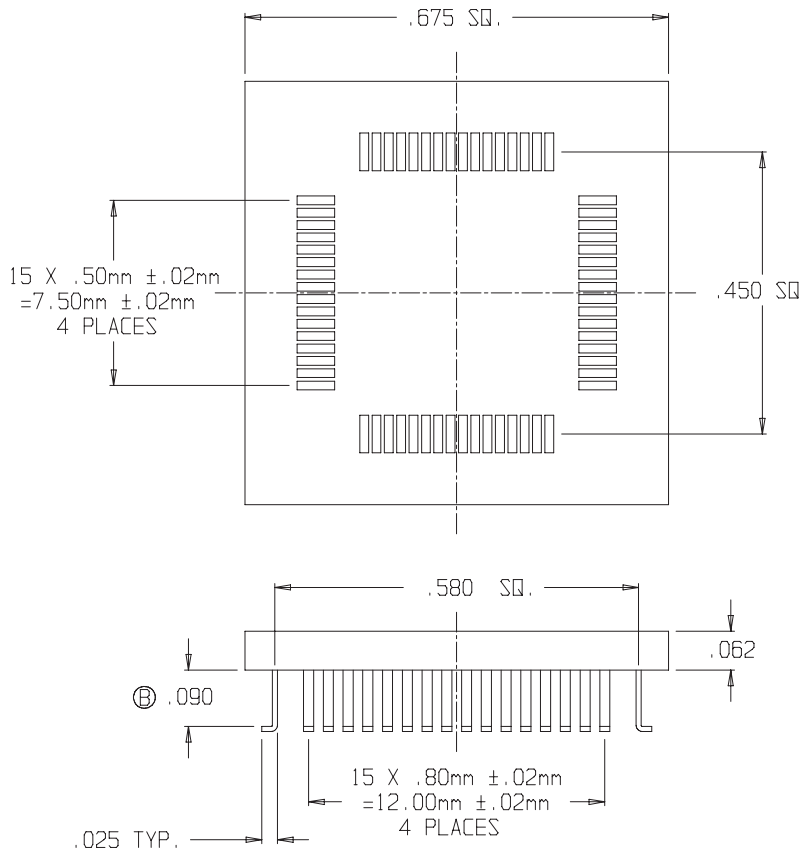
- Board Material is .062 thick FR-4 with 1 oz. Copper traces, both sides.
- Pins are 301 full hard Stainless Steel.
- Pin plating is 200 $\mu$  [5.08 $\mu$ m] min. Tin per ASTM B 545 Type 1 or Tin/Lead 90/10 MIL-P-81728 over 100 $\mu$  [2.54 $\mu$ m] Nickel per SAE-AMS-QQ-N-290.
- Operating temperature = 221 $^{\circ}$ F [105 $^{\circ}$ C]



### ALL DIMENSIONS: INCHES [MILLIMETERS]

All tolerances  $\pm .005$  [.13]  
unless otherwise specified

*Note: Aries specializes in custom design and production. In addition to the standard products shown on this page, special materials, platings, sizes, and configurations can be furnished, depending on quantities. Aries reserves the right to change product specifications without notice.*



Frenchtown, NJ USA  
TEL: (908) 996-6841  
FAX: (908) 996-3891



18068  
REV. G